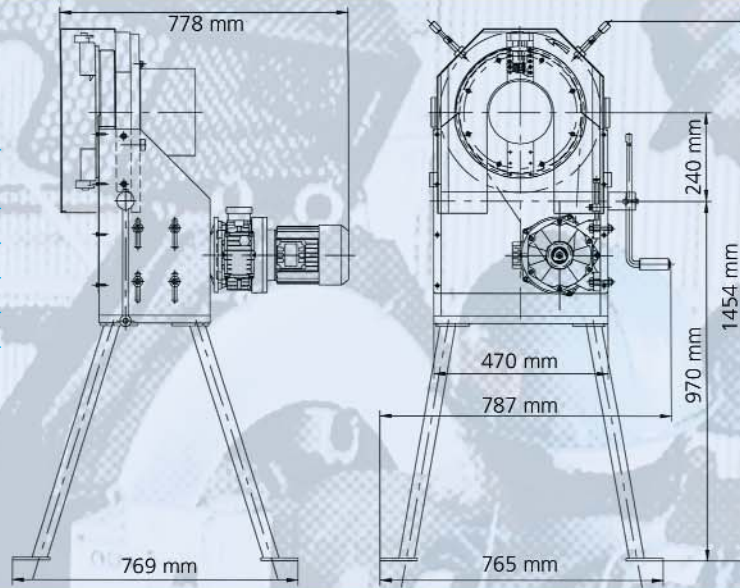


MF 120

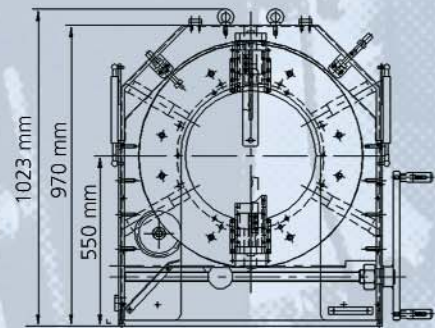
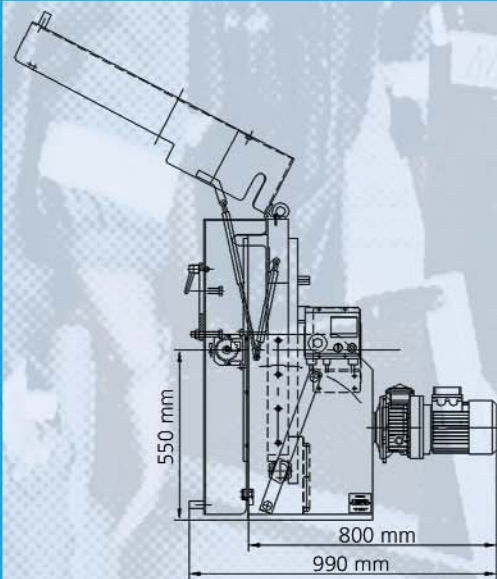
Standard clamping and machining capacity	5 mm up to 120 mm O.D.
Tool feed	stroke 25 mm feed by indexing
Tool rotation	45 to 132 rpm
Drive	electric 1200 W or pneumatic 1 HP
Option	support legs
Weight	55 kg

MF 170

Clamping and machining range capacity	60.3 mm up to 168 mm O.D.
Tool feed	60 mm
Tool rotation	adjustable 45 to 132 rpm
Drive	electric 3 phases
Option	cut holder
Weight	180 kg



MF 420



Clamping and machining range capacity	168 mm up to 406 mm O.D.
Tool feed	50mm / 80 mm
Tool rotation	adjustable 16 to 52 rpm
Drive	electric 3 phases
Option	cut holder
Weight	500 kg

PROTEM

Z.I. les Bosses - 26800 Etoile-sur-Rhone
FRANCE

tel : +33 (0)4 75 57 41 41
fax : +33 (0)4 75 57 41 49

www.protem.fr

Distributor

PROTEM has been certified ISO 9001 since 1993

conception & réalisation imp. CAYOL - 04 75 21 08 40

PROTEM

A CUT ABOVE THE REST

MF SERIES

TUBE CUTTING & BEVELING MACHINES

Tube Cutting and Beveling Machines MF model

The MF model is a versatile and powerful unit.

The MF range is able to perform cut & 2 bevels simultaneously from diameter 5mm OD up to 420 mm OD.

The MF machines are equipped with 2 opposite tool holders with 50mm stroke on the MF 120, with 60 mm stroke on the MF 170 & 70 mm stroke on the MF 420.

The MF model performs a high quality weld preparation on any tube material (carbon steel, stainless steel, duplex, aluminium,.....)

The series is equipped of a positive auto centring clamping design which is fast acting via a lever.

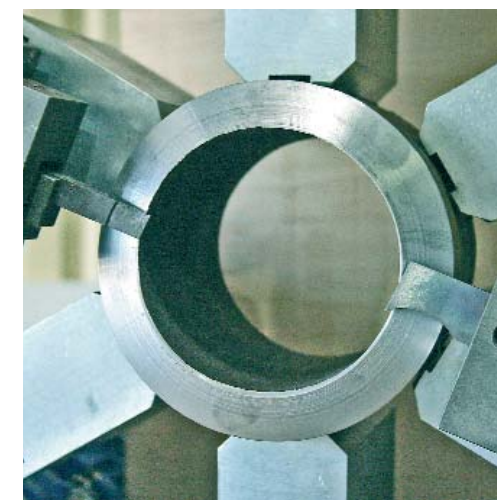
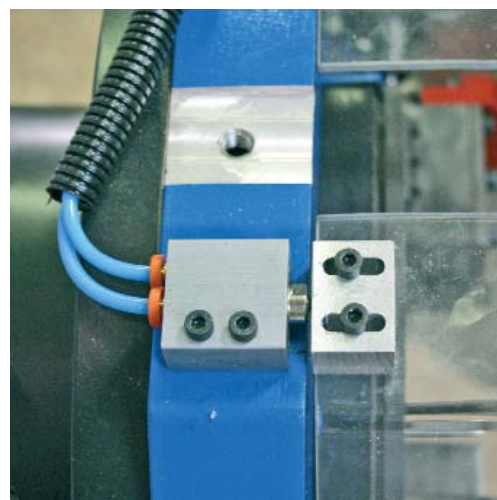
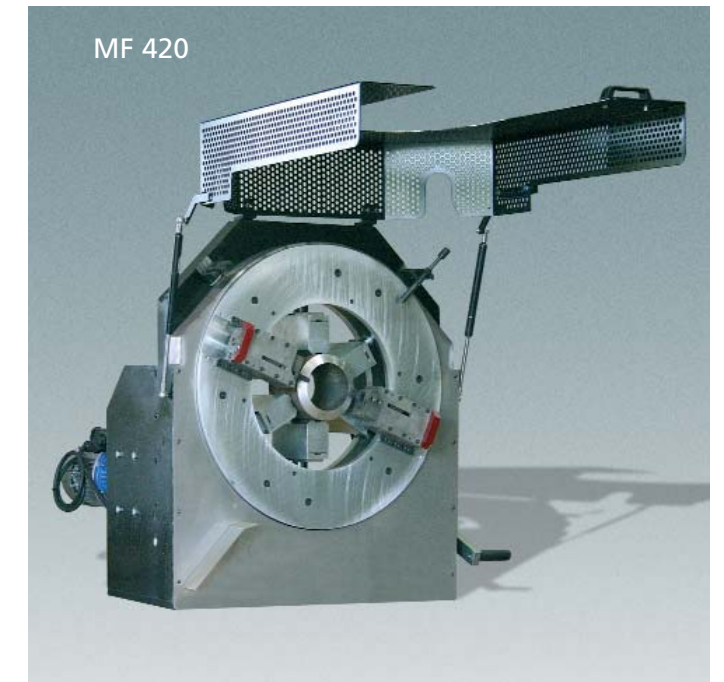
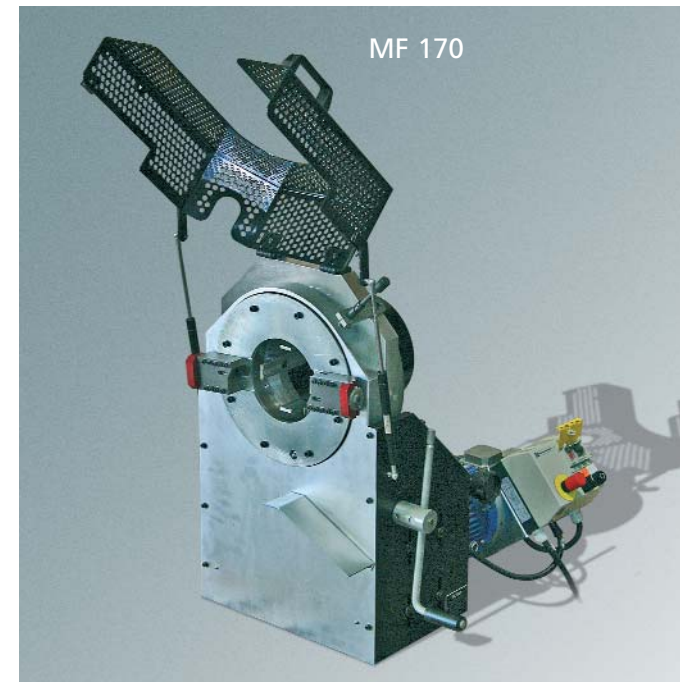
Thanks to a mechanical reduction on the motor (3 phases 400V motor), which allows a consistent torque on a variable speed selection.

The speed adjustment gives the possibility to choose a simple cut or cut & bevel by a carbide insert or even a HSS tool bit.

The Hss bits allow J prep bevel, Compound bevel and any other special shape.

The Mf model is equipped with lift-eyes to be easily craned.

The design of the MF model cares about the safety, by using a protecting cover which stops automatically the tool holder plate when opening.



Safety's system

MF 170 Motor

MF 170 tool holder

MF 420 clamping & tool holder

MF 420 Motor