



# MU IV 195 HW

TIG - Hot Wire, AVC, OSC

**“Hot Wire” Welding Head**  
for welding of tubes and pipes



**POLYSOUDE**  
THE ART OF WELDING

# OMU IV 195 HW

## “Hot Wire” Welding Head

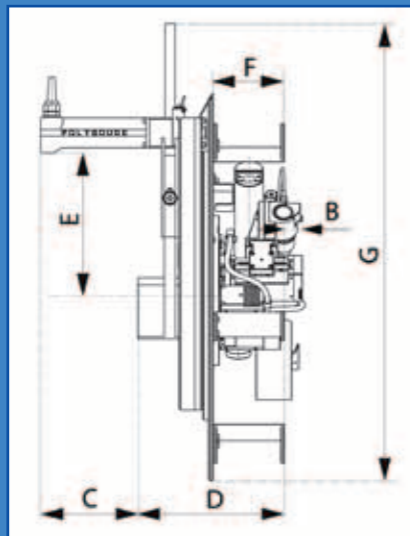
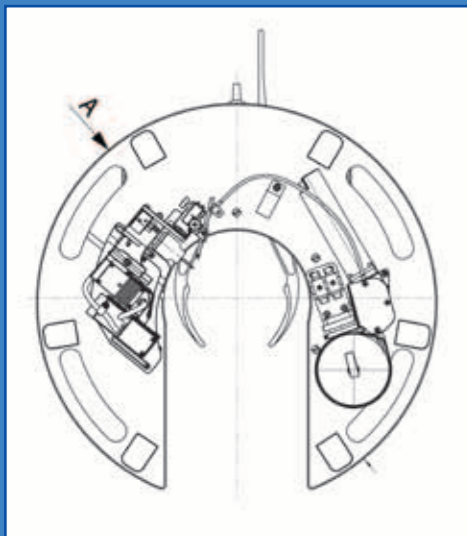
for multipass TIG welding of tubes and pipes

Highest flexibility and productivity

### Advantages

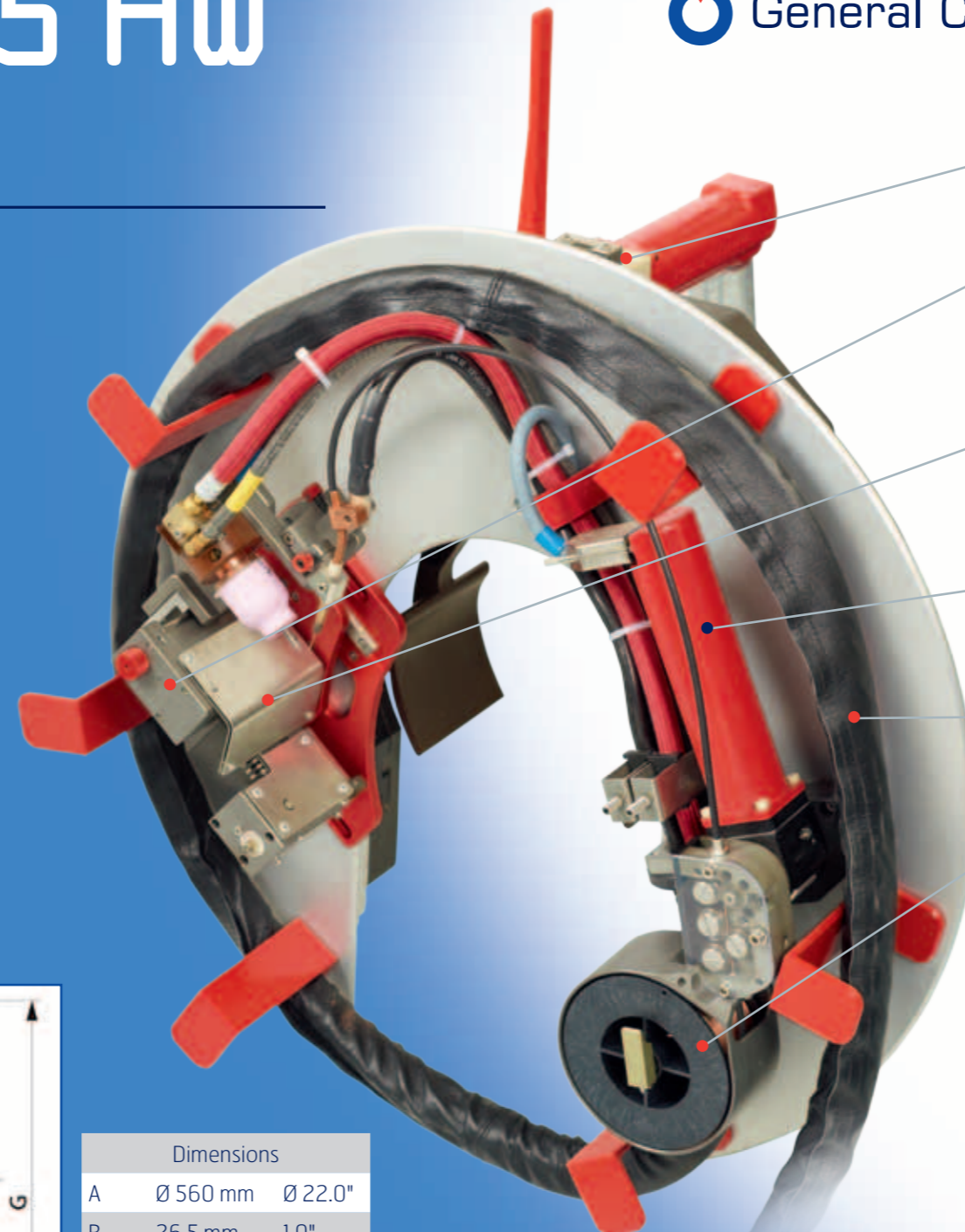
- ▶ Simplified handling and adjustment
- ▶ Outer diameter range: 76 to 195 mm (3" to 7.7")
- ▶ Welding head clamps only on one side of the weld joint
- ▶ Closed loop water cooling for highest duty cycle

Resulting from over 50 years' experience in mastering welding technologies



Dimensions		
A	Ø 560 mm	Ø 22.0"
B	26.5 mm	1.0"
C	137 mm	5.4"
D	205 mm	8.1"
E	201 mm	7.9"
F	100 mm	3.9"
G	642 mm	25.3"

### General Characteristics



Rotation clutch device for quick cable winding

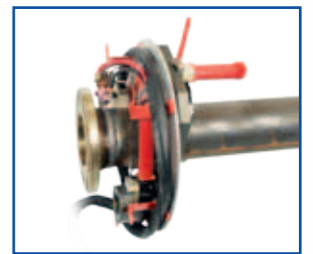
Motorised Arc Voltage Control (AVC) and Torch Oscillation Control (OSC) for multipass welding of medium wall thicknesses

Particularly designed for high duty applications by means of high temperature resistant materials and closed loop water cooling

Closed loop regulation to ensure precise control of the welding speed and wire feeding

Reinforced cable-hose assembly

Integrated wire feeder



Quick clamping system for all situations: "Grip-it"



Welding head: "one-size-fits"



Quick change of the electrode

### Technical Specification

<b>Outside diameters</b>	
Diameter range	76 to 195 mm - 3" to 7.7"
<b>Torch</b>	
Type	Special TIG torch with extra large gas lens
Cooling	Closed loop water cooling
<b>AVC (Arc Voltage Control) and OSC (Torch Oscillation Control)</b>	
Maximum travel speed	1500 mm/min - 59.1 in/min
Stroke	± 20 mm - 0.8"
Motor	Stepper motor
<b>Wire feeder</b>	
Type	Polyfil Auto 7929 HW
Maximum wire feeding speed	7929 mm/min - 312.2 in/min
Spool weight / recommended wire diameter	1,5 kg - 3.3 lbs / Ø 0,8 mm - 0.03"
<b>Dimensions and weight</b>	
Cable length	9 m - 29.53 ft
Weight (excl. cable)	15 kg - 33.07 lbs
Dimensions of the welding head	See drawings

### Associated Power Sources



#### ▶ P6 HW

520 A welding current, 140 A Hot Wire current, "all applications" programming by PC or touch screen, with Arc Voltage Control (AVC) and Torch Oscillation Control (OSC), three-phase power supply



#### ▶ PC 600 HW

600 A welding current, 140 A Hot Wire current, modular design for perfect adaptation to your application. Interface for mechanised and robotic peripherals, three-phase power supply

### Options and Accessories

- Angle gear box
- Tool kit for daily operation
- „C“ version with water cooled clamp shells
- Extension cable (15 m - 49.21 ft)
- Tungsten electrodes, pre-sharpened and pre-cut
- Balancer
- Compact shipping case for transport and storage

# POLYSOUDE : Related Services

## ► Guidance and technical support

A welding application specialist in your area will advise you on the welding process and appropriate equipment for your application.

## ► Commissioning / Training

A complete training program will enable you to start using the equipment immediately and in the best way possible.

## ► Maintenance / Repair

Maintenance and repair operations can be carried out at the Polysoude plant as well as on site by our service network.

## ► Rental service

Increase the flexibility of your production! A large range of equipment is available for rental from our hire fleet.

## Your partners worldwide

### ARGENTINA

**STMAC SRL**  
☎ +54 (0) 11 4247 2184  
stmac@telecentro.com.ar

### AUSTRALIA

**POLYSOUDE S.A.S.**  
☎ +33 (0) 2 40 68 11 00  
info@polysoude.com

### AUSTRIA

**POLYSOUDE AUSTRIA GmbH**  
☎ +43 (0) 3613 200 36  
austria@polysoude.at

### BELGIUM

**POLYSOUDE BENELUX**  
☎ +31 (0) 653 84 23 36  
k.meurs@polysoude.com

### POLYSOUDE BENELUX

**(SERVICE)**  
☎ +31 (0) 653 38 85 58  
h.milder@polysoude.com

### BRAZIL

**AJADE COMÉRCIO INSTALAÇÕES E SERVIÇOS Ltda.**  
☎ +55 (0) 11 45 24 38 98  
fernando@ajade.com.br

### BULGARIA

**KARWELD EOOD**  
☎ +359 (0) 29 73 32 15  
Karweld@bg400.bg

### CANADA

**MAG TOOL Inc.**  
**EDMONTON - ALBERTA**  
☎ 800 661 9983  
magtool@magtool.com

### MAG TOOL Inc.

**CAMBRIDGE - ONTARIO**  
☎ +1 519 651 10 50  
michael@magtool.com

### CHINA

**POLYSOUDE SHANGHAI CO. Ltd**  
☎ +86 (0) 21 64 09 78 26  
j.zhang@polysoude.cn

### CROATIA

**EUROARC D.O.O.**  
☎ +385 (0) 1 2 40 60 77  
euroarc@euroarc.hr

### CZECH REPUBLIC

**POLYSOUDE CZ**  
☎ +420 602 60 28 55  
m.matousek@polysoude.cz

### DENMARK

**POLYSOUDE DENMARK**  
☎ +45 (0) 32 94 85 10  
orbital@polysoude.dk

### EGYPT

**POLYSOUDE UK**  
☎ +44 (0) 1942 820 935  
info@polysoude.com

### ESTONIA

**POLYSOUDE S.A.S.**  
☎ +33 (0) 2 40 68 11 00  
info@polysoude.com

### FINLAND

**SUOMEN TEKNOHAUS OY**  
☎ +358 (0) 927 47 2 10  
info@teknohaus.fi

### FRANCE

**POLYSOUDE S.A.S.**  
☎ +33 (0) 2 40 68 11 00  
info@polysoude.com

### GERMANY

**POLYSOUDE DEUTSCHLAND DUSSELINGEN**  
☎ +49 (0) 7072 60076 0  
info@polysoude.com

### POLYSOUDE DEUTSCHLAND

**LEVERKUSEN / OPLADEN**  
☎ +49 (0) 2171 58 13 36  
info@polysoude.com

### ITALY

**POLYSOUDE ITALIA SRL**  
☎ +39 (0) 2 93 79 90 94  
info@polysoude.it

### JAPAN

**GMT CO Ltd - KAWASAKI**  
☎ +81 (0) 44 222 6751  
gmt@e-gmt.co.jp

### GMT CO Ltd - OSAKA

☎ +81 (0) 789 35 6751  
gmt.kansai@e-gmt.co.jp

### JORDAN

**POLYSOUDE UK**  
☎ +44 (0) 1942 820 935  
info@polysoude.com

### NEW ZEALAND

**POLYSOUDE S.A.S.**  
☎ +33 (0) 2 40 68 11 00  
info@polysoude.com

### NORWAY

**TEMA NORGE AS**  
☎ +47 (0) 51 69 25 00  
tor.inge.tjensvoll@tema-norge.no

### PAKISTAN

**POLYSOUDE S.A.S.**  
☎ +33 (0) 2 40 68 11 00  
info@polysoude.com

### PHILIPPINES

**POLYSOUDE S.A.S.**  
☎ +33 (0) 2 40 68 11 00  
info@polysoude.com

### SAUDI ARABIA

**ALRUQEE INDUSTRIAL MARKETING COMPANY**  
☎ +966 (0) 385 7 63 87  
ITManager.Khalidoun@alruqee.com

### SINGAPORE

**POLYSOUDE ASIA**  
☎ +86 (0) 65 68 62 60 08  
Jmpan@singnet.com.sg

### SIN SOON HUAT WELDING

**PRODUCTS PTE. Ltd**  
☎ +65 (0) 62 65 60 88  
wchng@sshcorp.com

### SLOVAKIA

**POLYSOUDE CZ**  
☎ +420 602 60 28 55  
m.matousek@polysoude.cz

### SOUTH AFRICA

**POLYSOUDE S.A.S.**  
☎ +33 (0) 2 40 68 11 00  
info@polysoude.com

### SOUTH KOREA

**CHEMIKO CO Ltd**  
☎ +82 (0) 2 567 5336  
chemiko@chol.com

### SPAIN

**PRAXAIR SOLDADURA S.L.**  
☎ +34 (0) 91 78 55 77 09  
Luis\_Alfredo\_de\_Andres@praxair.com

### SWEDEN

**POLYSOUDE BENELUX**  
☎ +31 (0) 653 84 23 36  
k.meurs@polysoude.com

### SWITZERLAND

**POLYSOUDE (SWITZERLAND) Inc.**  
☎ +41 (0) 43 243 50 80  
contact@polysoude.ch

### TAIWAN R.O.C.

**FIRST ELITE ENT. CO. Ltd**  
☎ +886 (0) 287 97 88 99  
auto.pipe@msa.hinet.net

### THAILAND

**POLYSOUDE S.A.S.**  
☎ +33 (0) 2 40 68 11 00  
info@polysoude.com

### TURKEY

**POLYSOUDE S.A.S.**  
☎ +33 (0) 2 40 68 11 00  
info@polysoude.com

### UNITED ARAB EMIRATES

**GERMAN GULF ENTERPRISES Ltd**  
☎ +971 (0) 65 31 61 71  
info@polysoude.com

### UKRAINE

**POLYSOUDE RUSSIA**  
☎ +7 (0) 495 564 86 81  
polysoude@co.ru

### UNITED STATES

**ASTRO ARC POLYSOUDE Inc.**  
☎ +1 661 702 01 41  
sales@astroarc.com

### VENEZUELA

**ENRIVA C.A.**  
☎ +58 (0) 243 242 45 41  
enriva@cantv.net



### GREAT BRITAIN

**POLYSOUDE UK**  
☎ +44 (0) 1942 820 935  
info@polysoude.com

### GREECE

**POLYSOUDE S.A.S.**  
☎ +33 (0) 2 40 68 11 00  
info@polysoude.com

### HUNGARY

**POLYWELD Kft.**  
☎ +36 (0) 20 29 88 708  
polyweld@polyweld.hu

### INDIA

**POLYSOUDE INDIA**  
☎ +91 (0) 20 40 03 59 31  
ab.kulkarni@polysoude.in

### INDONESIA

**P.T. TIRA AUSTENITE**  
☎ +62 (0) 21 460 25 94  
yusuf@tiraustenite.com

### ISRAEL

**POLYSOUDE S.A.S.**  
☎ +33 (0) 2 40 68 11 00  
info@polysoude.com

### LATVIA

**POLYSOUDE S.A.S.**  
☎ +33 (0) 2 40 68 11 00  
info@polysoude.com

### LITHUANIA

**POLYSOUDE S.A.S.**  
☎ +33 (0) 2 40 68 11 00  
info@polysoude.com

### MALAYSIA

**POLYSOUDE S.A.S.**  
☎ +33 (0) 2 40 68 11 00  
info@polysoude.com

### MEXICO

**ASTRO ARC POLYSOUDE Inc.**  
☎ +1 661 702 01 41  
sales@astroarc.com

### NETHERLANDS

**POLYSOUDE BENELUX**  
☎ +31 (0) 653 84 23 36  
k.meurs@polysoude.com

### POLYSOUDE BENELUX

**(SERVICE)**  
☎ +31 (0) 653 38 85 58  
h.milder@polysoude.com

### POLAND

**TEFROMES Sp. z o.o. - IMIELIN**  
☎ +48 (0) 32 225 62 77  
biuro@tefroles.com.pl

### UNIDAWELD - BEDZIN

☎ +48 (0) 32 267 05 54  
dariusz.szota@unidaweld.pl

### ZALCO Sp. z o.o. - WARSZAWA

☎ +48 (0) 22 894 55 30  
mbergman@zalco.pl

### PORTUGAL

**PRAXAIR PORTUGAL GASES, S.A.**  
☎ +351 (0) 229 438 320  
pbarbosa@praxair.com

### ROMANIA

**DEBISUD S.R.L.**  
☎ +40 (0) 255 21 57 85  
debisud@rdslink.ro

### RUSSIA + C.I.S.

**POLYSOUDE RUSSIA**  
☎ +7 495 564 86 81  
polysoude@co.ru